



(19) **United States**

(12) **Patent Application Publication**
Deb et al.

(10) **Pub. No.: US 2016/0369723 A1**

(43) **Pub. Date: Dec. 22, 2016**

(54) **METHODS AND SYSTEMS TO CONTROL EXHAUST GAS RECIRCULATION**

(52) **U.S. Cl.**

CPC *F02D 41/0077* (2013.01); *F02D 21/08* (2013.01); *F02D 41/0072* (2013.01); *F02D 41/0052* (2013.01); *F02D 41/26* (2013.01); *F02D 2021/083* (2013.01)

(71) Applicant: **General Electric Company**, Schenectady, NY (US)

(72) Inventors: **Dipankar Deb**, Bangalore (IN); **Prashant Srinivasan**, Bangalore (IN); **Medy Satria**, Munich (DE); **Maruthi Narasinga Rao Devarakonda**, Waukesha, WI (US); **Dhruval Bhatt**, Katy, TX (US)

(57)

ABSTRACT

A system includes an engine comprising an EGR valve that recirculates a portion of exhaust gas, a data repository that stores a first look up and one or more engine operational parameters, an engine control unit operationally coupled to the engine and the data repository, wherein the engine control unit is configured to: determine a desired EGR flow rate reference of the portion of the exhaust gas based on the one or more engine operational parameters and the first look up table, determine a current estimated EGR flow rate based on the one or more engine operational parameters, determine a designated corrected EGR flow rate reference based on the desired EGR flow rate reference and a delta EGR flow rate, determine EGR flow rate error, and determine a percentage opening of the EGR valve based at least on the EGR flow rate error.

(21) Appl. No.: **14/745,868**

(22) Filed: **Jun. 22, 2015**

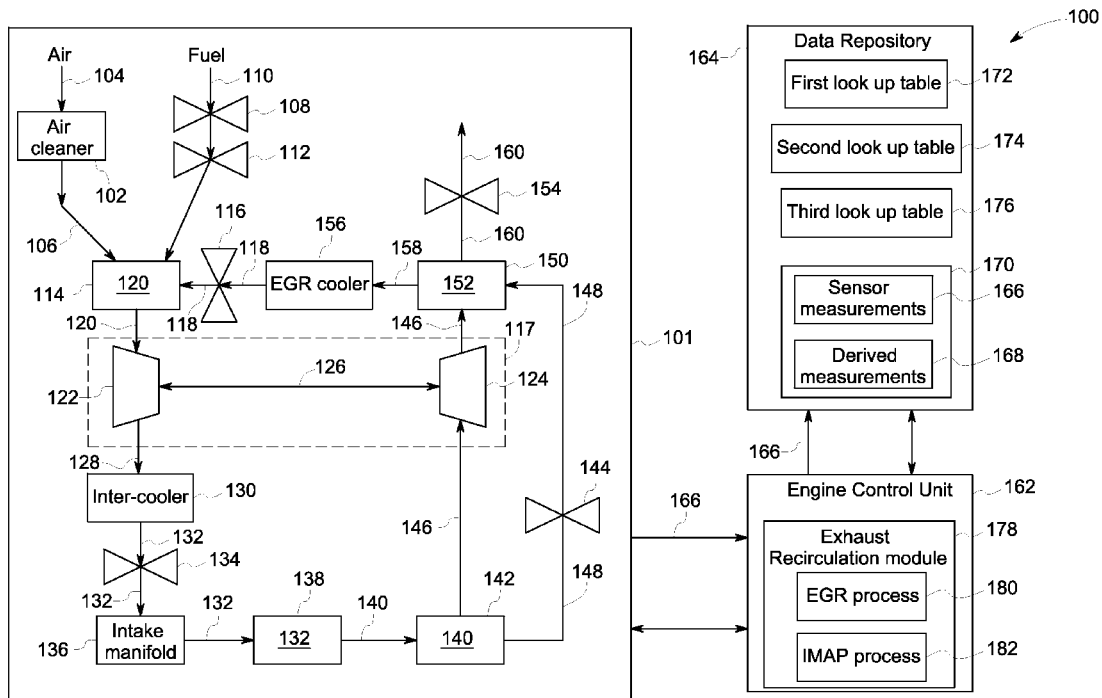
Publication Classification

(51) **Int. Cl.**

F02D 41/00 (2006.01)

F02D 41/26 (2006.01)

F02D 21/08 (2006.01)



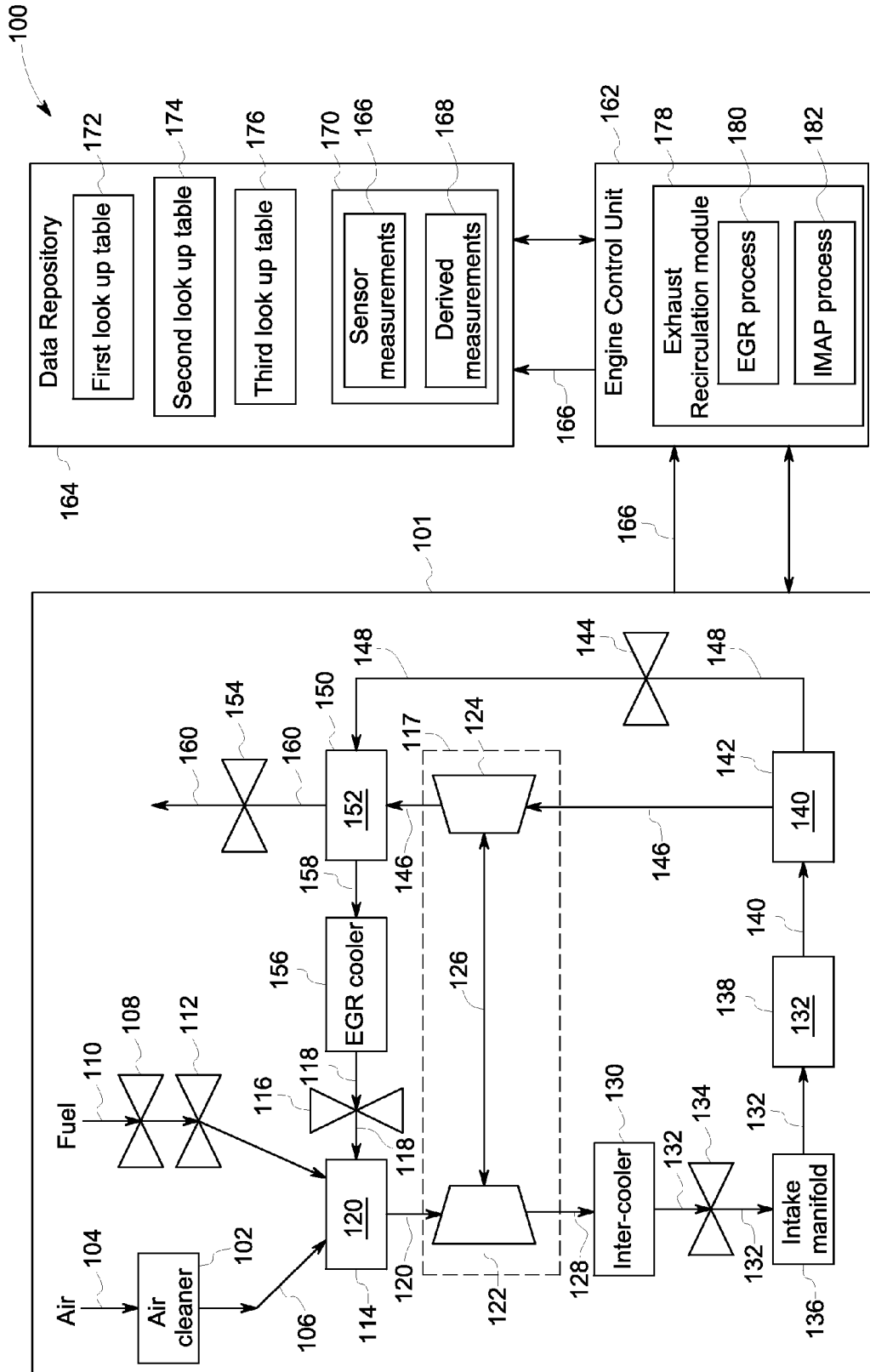


FIG. 1

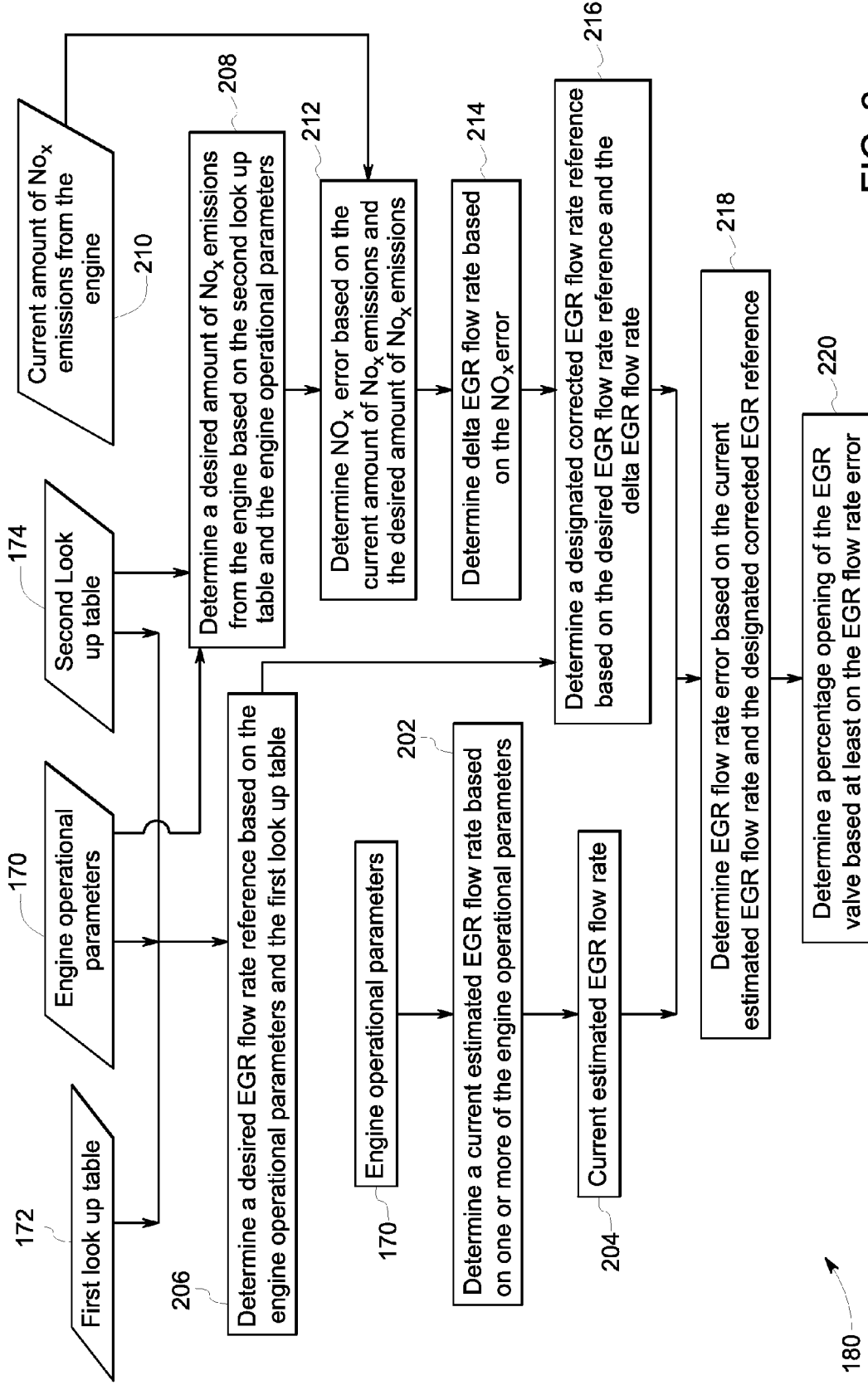


FIG. 2

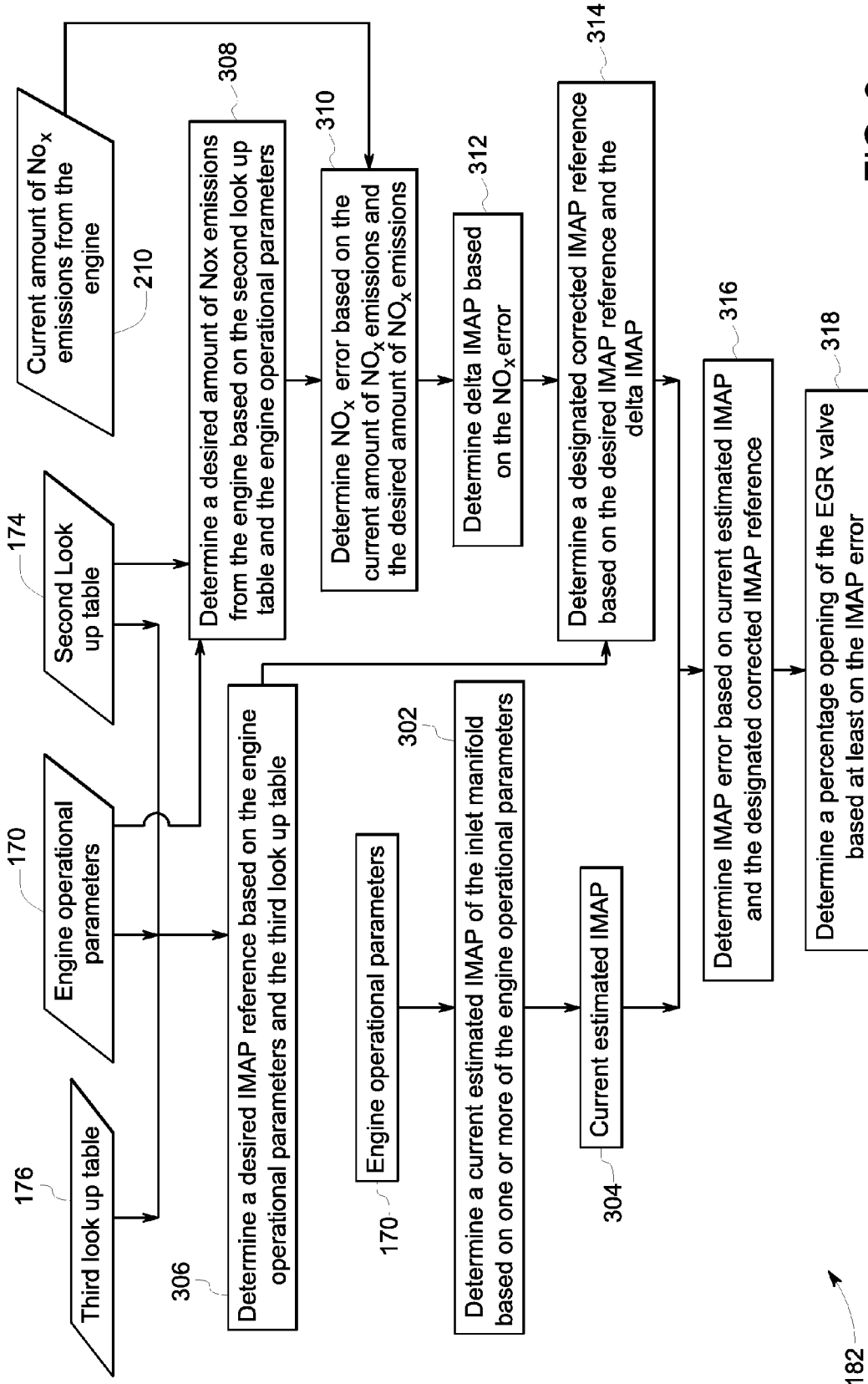


FIG. 3

METHODS AND SYSTEMS TO CONTROL EXHAUST GAS RECIRCULATION

BACKGROUND

[0001] An engine system generally comprises a turbo-charger. A turbocharger typically includes a compressor that is rotationally coupled to a turbine via a shaft. Typically when a turbocharger is used with a combustion engine, the turbine of the turbocharger is disposed in the path of exhaust gas exiting the combustion engine. The turbine includes a wheel (hereinafter: 'turbine wheel') that is rotated by the flow of the exhaust gas. The turbine wheel is rotatably coupled to a wheel (hereinafter: 'compressor wheel') of a compressor, in the turbocharger. The compressor is disposed in-line with an air-intake system of the combustion engine. Rotation of the turbine by the exhaust gas flow causes the compressor wheel to likewise rotate, wherein rotation of the compressor wheel acts to increase the flow of fresh air into an air intake system. After directly rotating the turbine, and indirectly rotating the compressor, the exhaust gas exits the turbine.

[0002] The exhaust gas exiting the turbine contains nitrous oxides NO_x, and hence emission of the exhaust gas into the environments would lead to emission of nitrous oxides NO_x into the environment. The emissions of NO_x from diesel and gasoline vehicles is regulated and/or restricted via legislation in many countries. A widely adopted route to reduce the NO_x emissions is exhaust gas recirculation (EGR). The EGR may involve recirculating a controllable portion of the exhaust gas back into the air intake system. For example, in some internal combustion engines, a portion of exhaust gas generated by one or more combustion cylinders in the internal combustion engines is recirculated within the internal combustion engines via an EGR valve to mix the portion of the exhaust gas and an air-fuel mixture resulting in generation of air-fuel-exhaust mixture. Combustion cylinders in the internal combustion engines combust the air-fuel-exhaust mixture to generate energy and the exhaust gas.

[0003] Typically, an amount of exhaust gas to be recirculated into the combustion engine has direct and indirect impact on the performance of the engine and other emissions. Hence, there is a need of methods and systems that effectively control the EGR valve to achieve optimal engine performance along with meeting NO_x emission restrictions.

BRIEF DESCRIPTION

[0004] In accordance with one embodiment, a system is presented. The system includes an engine comprising an exhaust-gas-recirculation (EGR) valve that recirculates a portion of exhaust gas, generated by the engine, within the engine, a data repository that stores a first look up and one or more engine operational parameters, an engine control unit operationally coupled to the engine and the data repository, wherein the engine control unit is configured to: determine a desired EGR flow rate reference of the portion of the exhaust gas based on the one or more engine operational parameters and the first look up table, determine a current estimated EGR flow rate based on the one or more engine operational parameters, determine a designated corrected EGR flow rate reference based on the desired EGR flow rate reference and a delta EGR flow rate, determine EGR flow rate error based on the current estimated EGR flow rate and the designated corrected EGR flow rate, and

determine a percentage opening of the EGR valve based at least on the EGR flow rate error.

[0005] In accordance with another embodiment, a system is presented. The system includes an engine comprising an exhaust-gas-recirculation (EGR) valve that recirculates a portion of exhaust gas, generated by the engine, within the engine, an inlet manifold comprising air-fuel-exhaust mixture characterized by a pressure (IMAP), a data repository that stores an IMAP look up table and one or more engine operational parameters, an engine control unit operationally coupled to the engine and the data repository, wherein the engine control unit is configured to determine a desired IMAP reference based on the one or more engine operational parameters and the IMAP look up table, determine a current estimated IMAP in the inlet manifold based on the one or more engine operational parameters, determine a designated corrected IMAP reference based on the desired IMAP reference and a delta IMAP, determine an IMAP error based on the current estimated IMAP and the designated corrected IMAP reference, and determine a percentage opening of the EGR valve based at least on the IMAP error.

[0006] In accordance with still another embodiment, a system is presented. The system includes an engine comprising an exhaust-gas-recirculation (EGR) valve that recirculates a portion of exhaust gas, generated by the engine, within the engine, an inlet manifold comprising air-fuel-exhaust mixture characterized by a pressure (IMAP), a data repository that stores a first look up table, an IMAP look up table and one or more engine operational parameters, an engine control unit operationally coupled to the engine and the data repository, wherein the engine control unit is configured to select between an IMAP process and an EGR process based on one or more factors, execute the IMAP process after selection of the IMAP process, wherein the IMAP process comprises determining a desired IMAP reference based on the one or more engine operational parameters and the IMAP look up table, determining a current estimated IMAP in the inlet manifold based on the one or more engine operational parameters, determining a designated corrected IMAP reference based on the desired IMAP reference and a delta IMAP, determining an IMAP error based on the current estimated IMAP and the designated corrected IMAP reference; and determining a percentage opening of the EGR valve based at least on the IMAP error.

DRAWINGS

[0007] These and other features and aspects of embodiments of the present invention will become better understood when the following detailed description is read with reference to the accompanying drawings in which like characters represent like parts throughout the drawings, wherein:

[0008] FIG. 1 is an exemplary representation of a block diagram of an exhaust gas recirculation system, in accordance with one embodiment of the present systems;

[0009] FIG. 2 is a flow chart of an EGR process, in accordance with one embodiment of the present techniques; and

[0010] FIG. 3 is a flow chart of an IMAP process, in accordance with one embodiment of the present techniques.

DETAILED DESCRIPTION

[0011] Unless defined otherwise, technical and scientific terms used herein have the same meaning as is commonly

understood by one of ordinary skill in the art to which this disclosure belongs. The terms “a” and “an” do not denote a limitation of quantity, but rather denote the presence of at least one of the referenced items. The term “or” is meant to be inclusive and mean one, some, or all of the listed items. The use of “including,” “comprising” or “having” and variations thereof herein are meant to encompass the items listed thereafter and equivalents thereof as well as additional items. The terms “control system” or “controller” may include either a single component or a plurality of components, which are either active and/or passive and are connected or otherwise coupled together to provide the described function or functions.

[0012] The present systems and methods, described in detail hereinafter, control and regulate exhaust gas recirculation (EGR) flow rate in an engine. The present systems and methods are capable of controlling exhaust gas recirculation (EGR) flow rate in an engine despite failure of one or more sensors present in the engine. For example, the present systems and methods may control and regulate exhaust gas recirculation (EGR) flow rate in the engine despite failure of a subset of sensors, such as, fuel flow sensor or inlet manifold temperature sensor (IMAT) sensor. The present systems and methods control the exhaust gas recirculation (EGR) flow rate to achieve nitrous oxide (NOx) emissions and formation of particulate matter (PM) within desired limits imposed by a government or a manufacturer. The engine, for example, may include a lean burn engine (for example: gas engine, diesel engine, and dual fuel engine), a stoichiometric engine, an internal combustion engine, or the like that recirculates exhaust gas within the engine.

[0013] FIG. 1 is an exemplary representation of a block diagram of an exhaust gas recirculation system 100, in accordance with one embodiment of the present techniques. The system 100 includes an engine 101, an engine control unit 162 and a data repository 164. It is noted that the present systems and techniques should not be restricted to the design and configuration of the engine 101 shown in FIG. 1. In the presently contemplated configuration, the engine 101 includes an air cleaner 102 that receives fresh air 104 from environment and cleans the fresh air 104 to generate cleaned air 106 that complies with determined requirements of the engine 101. For example, the air cleaner 102 is an air filter.

[0014] The engine 101 may further include a pressure regulator 108 that receives fuel 110 from a fuel source (not shown), and maintains constant pressure of the fuel 110 while the fuel 110 enters the engine 101. In the presently contemplated configuration, the engine 101 may further include a fuel control valve 112 operationally coupled to the pressure regulator 108, and a pre-compressor volume 114. The fuel control valve 112 controls an amount of the fuel 110 that enters the pre-compressor volume 114 at a time stamp. In the presently contemplated configuration, the pre-compressor volume 114 is further coupled to an EGR valve 116 that may be controlled to transfer a determined amount of cooled exhaust gas 118 into the pre-compressor volume 114. The EGR valve 116, for example may be controlled by the engine control unit 162. Accordingly, the pre-compressor volume 114 receives the cleaned air 106 from the air cleaner 102, the fuel 110 from the fuel control valve 112 and the determined amount of cooled exhaust gas 118 from the EGR valve 116 resulting in formation of an air-fuel-exhaust mixture 120.

[0015] The engine 101 additionally includes a turbo-charger 117 that includes a compressor 122, a turbine 124 and a shaft 126 that connects the compressor 122 and the turbine 124. A rotation of the turbine 124 rotates the shaft 126 resulting in rotation of the compressor 122. The rotating compressor 122 receives the air-fuel-exhaust mixture 120 from the pre-compressor volume 114 and compresses the air-fuel-exhaust mixture 120 to generate compressed air-fuel-exhaust mixture 128. The engine 101 further includes an inter-cooler 130 operationally coupled to the compressor 122. The inter-cooler 130 receives the compressed air-fuel-exhaust mixture 128 and reduces the temperature of the air-fuel-exhaust mixture 128 to generate cooled air-fuel-exhaust mixture 132.

[0016] In one embodiment, the engine 101 further includes a throttle valve 134, an inlet manifold 136 and at least one cylinder 138. The throttle valve 134 couples the inter-cooler 130 to the inlet manifold 136. The throttle valve 134 may be controlled to control an amount of the cooled air-fuel-exhaust mixture 132 that enters the inlet manifold 136. Accordingly, the inlet manifold 136 receives the cooled air-fuel-exhaust mixture 132 from the throttle valve 134. One or more sensors (not shown) may be installed on or inside the inlet manifold 136 to measure temperature and pressure of the cooled air-fuel-exhaust mixture 132 inside the inlet manifold 136. The inlet manifold 136 is coupled to the cylinder 138, and supplies the cooled air-fuel-exhaust mixture 132 to the cylinder 138 for combustion. The combustion of the air-fuel-exhaust mixture 132 results in generation of power (not shown) and exhaust gas 140. While the presently contemplated configuration shows the single cylinder 138, the engine 101 may have more than one cylinder. Again, the presently contemplated configuration does not describe the cylinder 138 as a donor or a non-donor cylinder; however the cylinder 138 may be a donor cylinder or a non-donor cylinder. In one embodiment, when the engine 101 includes two or more cylinders, the cylinders may include donor and/or non-donor cylinders.

[0017] The cylinder 138 is coupled to an exhaust manifold 142 that receives the exhaust gas 140 from the cylinder 138. The exhaust manifold 142 is coupled to the turbine 124 of the turbocharger 117 and a waste-gate valve 144. The waste-gate valve 144 may be controlled to control an amount of a first portion 146 of the exhaust gas 140 that rotates the turbine 124, and an amount of a second portion 148 of the exhaust gas 140 that is bypassed into a post turbine volume 150, via the waste-gate valve 144, for potential recirculation within the engine 101. In the presently contemplated configuration, the waste-gate valve 144 is controlled to open to X % such that the first portion 146 of the exhaust gas 140 is directed into the turbine 124, and the second portion 148 of the exhaust gas 140 is directed into the post turbine volume 150 via the waste-gate valve 144. The direction of the first portion 146 of the exhaust gas 140 results in operation/rotation of the turbine 124. As previously noted, the operation of the turbine 124 results in rotation of the shaft 126 resulting in operation/rotation of the compressor 122. Furthermore, the second portion 148 of the exhaust gas 140 is directed into the post turbine volume 150 via the waste-gate valve 144. The post turbine volume 150 receives the first portion 146 of the exhaust gas 146 from the turbine 124 and the second portion 148 of the exhaust gas 140 from the waste-gate 144. Hereinafter, exhaust gas in the post turbine volume 150 shall be referred to by the reference

numeral 152. The post turbine volume 150 is operationally coupled to an exhaust-backpressure valve 154 and an exhaust-gas-recirculation (EGR) cooler 156. The exhaust-backpressure valve 154 may be controlled to control a first portion 158 of the exhaust gas 152 that is recirculated into the engine 101, and a second portion 160 of the exhaust gas 152 that is emitted out of the engine 101 after application of an exhaust gas treatment process on the second portion 160. It is noted that while the presently contemplated configuration does not show treatment of the second portion 160 of the exhaust gas 152, however the second portion 160 of the exhaust gas 150 may be treated using appropriate methods before emitting out of the engine 101.

[0018] As previously noted, the post turbine volume 150 is coupled to the EGR cooler 156. The EGR cooler 156 receives the first portion 158 of the exhaust gas 150, and cools down the first portion 158 to generate the cooled exhaust gas 118 that is redirected within the engine 101 by directing the cooled exhaust gas 118 into the pre-compressor volume 120. It is noted that the cooled exhaust gas 118 is a portion of the exhaust gas generated by the cylinder 138 of the engine 101. The engine 101 may further include a plurality of sensors (not shown) at multiple locations that generate sensor measurements 166. The sensors may transmit the sensor measurements 166 to the engine control unit 162. As used herein, the term “sensor measurements 166” refers to measurements that are generated by one or more sensors located on or inside one or more components of the engine 101, or on or inside the engine 101. The sensor measurements 166, for example, may include engine speed, engine load, mass flow rate, current NOx emissions, EGR flow rate, fuel flow measurement, exhaust pressure, temperature, oxygen fraction, settings of the valves 108, 112, 116, 134, 144, flow rates, speed, temperature (IMAT) inside the inlet manifold 136, pressure inside the inlet manifold 136, or the like.

[0019] As previously noted, the system 100 further includes the engine control unit 162 and the data repository 164. The engine control unit 162 is operationally coupled to the engine 101 and the data repository 164. The engine control unit 162, for example, may be one or more processing subsystems, microprocessors, or the like that communicate on a wired or wireless medium with the engine 101. In one embodiment, the engine control unit 162 comprises a dynamic controller. The dynamic controller, for example, may be a proportional-integral-derivative controller, a proportional controller, a proportional integral controller, a proportional derivative controller, a lag compensator, a lead compensator, a lag-lead compensator, a static decoupler, or the like. It is noted that the engine control unit 162 performs many other functions apart from the functions described with reference to the present systems and methods.

[0020] The engine control unit 162 receives the sensor measurements 166 from the engine 101. Particularly, the engine control unit 162 receives the sensor measurements 166 from the one or more sensors (not shown). Furthermore, the engine control unit 162 determines derived measurements 168 based on one or more of the sensor measurements 166 and/or one or more of the derived measurements 168. As used herein, the term “derived measurements 168” refers to measurements that are derived based on one or more of the sensor measurements 166 and/or one or more of the derived measurements 168. The derived measurements 168, for example, may include a volume of an intercooler (V_{pre} -

throat), a volume of the inlet manifold (V_{intake}), a volume of the pre-compressor volume ($V_{precompressor}$), a constant (R), and the like. After determination of the derived measurements 168, the engine control unit 162 may store the derived measurements 168 in the data repository 164. The sensor measurements 166 and the derived measurements 168 shall collectively be referred to as engine operational parameters 170. The engine control unit 162 may store the sensor measurements 166 in the data repository 164.

[0021] The data repository 164 stores a first look up table 172, a second look up table 174 and a third look up table 176. The terms “third look up table” and “IMAP look up table” shall be interchangeably used. As used herein, the term “first look up table 172” refers to a table or a function that relates one or more of the engine operational parameters 170 to a desired EGR flow rate reference, however does not take account of current NOx emissions from the engine 101. As used herein, the term “desired EGR flow rate reference” refers to a desired flow rate of a portion (for example: the first portion 158 of the exhaust gas 152 or the cooled exhaust gas 118 in FIG. 1) of exhaust gas generated by the engine 101 that may be recirculated within the engine 101 to achieve desired emission limits (for example desired amount of NOx emissions or desired amount of particulate matter). As used herein, the term “second look up table 174” refers to a table or a function that relates one or more of the engine operational parameters 170 to a desired amount of NOx emissions from the engine 101. The desired amount of NOx emissions generally is less or equal to a fixed value of NOx emissions decided by a government or a manufacturer. As used herein, the term “third look up table 176” refers to a table or a function that relates one or more of the engine operational parameters 170 to a desired pressure (IMAP) reference in the inlet manifold 136, however does not take account of current NOx emissions from the engine 101. As used herein, the term “inlet manifold pressure reference” refers to a desired pressure of the cooled air-fuel-exhaust mixture 132 or the air-fuel-exhaust mixture 128 that should be achieved/maintained inside the inlet manifold 136 to achieve desired emission limits (for example desired amount of NOx emissions or desired amount of particulate matter).

[0022] The engine control unit 162 is operationally coupled to the engine 101 and the data repository 158. The engine control unit 162, for example, may be one or more processing subsystems, microprocessors, or the like that communicate on a wired or wireless medium with the engine 101. In one embodiment, the engine control unit 150 comprises a dynamic controller. The dynamic controller, for example, may be a proportional-integral-derivative controller, a proportional controller, a proportional integral controller, a proportional derivative controller, a lag compensator, a lead compensator, a lag-lead compensator, a static decoupler, or the like. The engine control unit 162 controls the engine 101 and various components of the engine 101.

[0023] The engine control unit 162 further controls one or more components of the engine 101, such as the EGR valve 116 to control the amount and flow rate of the cooled exhaust gas 118 that enters into the pre-compressor volume 114. The engine control unit 162 may include a plurality of modules to control one or more operations of the engine 101 and the components of the engine 101. In the presently contemplated configuration, the engine control unit 162, for example, includes an exhaust recirculation module 178 that determines and controls a percentage opening of the EGR

valve **116** to control the amount of cooled exhaust gas **118** and/or the first portion exhaust gas **158** that is recirculated within the engine **101**. The exhaust recirculation module **178** may choose between an EGR process **180** and an IMAP process **182** for determining the percentage opening of the exhaust-gas-recirculation valve **116**. The exhaust recirculation module **170** may choose between the EGR process **180** and the IMAP process **182** based on one or more factors comprising user preference, error resilience, and operational condition of sensors installed on or inside the engine **101** or components of the engine **101**. For example, when one or more of the sensors, such as fuel flow sensor or IMAT sensor is unavailable or non-operational, then the IMAP process may be used for determining the percentage opening of the EGR valve **116**.

[0024] The exhaust recirculation module **178** may determine the percentage opening of the EGR valve **116** by executing the EGR process **180** based on at least one or more of the first look up table **172**, the second look up table **174** and one or more of the engine operational parameters **170**. An example of the EGR process **180** is explained with reference to FIG. 2. In alternative embodiment, the exhaust recirculation module **178** may determine the percentage opening of the EGR valve **116** by executing the IMAP process **182** based on at least one or more of the second look up table **174**, the third look up table **176** and one or more of the engine operational parameters **170**. An example of the IMAP process is explained in greater detail with reference to FIG. 3. The EGR process **180** and/or the IMAP process **182**, for example, may be a software and/or hardware wherein at least a portion of the EGR process **180** and/or the IMAP process **182** is designed on a chipset.

[0025] The exhaust recirculation module **178** controls the amount of the cooled exhaust gas **118** or the first portion **158** of the exhaust gas **152** that enters the pre-compressor volume **114** by controlling the percentage opening of the EGR valve **116**. Accordingly, the exhaust recirculation module **178** indirectly controls the amount of the cooled exhaust gas **118** or the first portion **158** of the exhaust gas **152** that is recirculated within the engine **101** by controlling the percentage opening of the EGR valve **116**. By controlling the amount of the cooled exhaust gas **118** that is recirculated within the engine **101**, the exhaust recirculation module **178** maintains nitrous oxide (NOx) emissions and formation of particulate matter (PM) within desired limits imposed by a government or a manufacturer.

[0026] FIG. 2 is a flow chart of the EGR process **180** referred to in FIG. 1, in accordance with one embodiment of the present techniques. The EGR process **180**, for example may be executed by the engine control unit **162** or the exhaust recirculation module **178** referred to in FIG. 1. Reference numeral **170** is representative of the engine operational parameters referred to in FIG. 1.

[0027] At block **202**, a current estimated EGR flow rate **204** of a portion of exhaust gas (for example: generated by the engine **101**) that is recirculated within the engine **101** may be determined based on one or more of the engine operational parameters **170**. For example, a current estimated flow rate of the cooled exhaust gas **118** or the portion **158** of the exhaust gas **152** referred to in FIG. 1 may be determined. For example, the current estimated EGR flow rate may be determined using the following equation (1):

$$\hat{Q}_{egr} = \frac{(V_{intake} + V_{prethrottle} + V_{precompressor}) \times P_{in}}{R \times IMAT} - Q_{air} - Q_{gas} - Q_{tot} \quad (1)$$

wherein \hat{Q}_{egr} is a current estimated EGR flow rate of the first portion **158** of the exhaust gas **152** or the cooled exhaust gas **118** (see FIG. 1), V_{intake} is volume of the inlet manifold **136**, $V_{prethrottle}$ is volume of the intercooler **130** and volume of one or more pipes that connect the pre-compressor volume **114** to the throttle valve **134** (see FIG. 1), $V_{precompressor}$ is volume of the pre-compressor volume **114**, Q_{air} is mass flow rate of the fresh air **104** at a time stamp t , Q_{gas} is mass flow rate of the fuel **110** at the time stamp t , Q_{tot} is mass flow rate of the cooled air-fuel-exhaust mixture **132** at a time stamp t , P_{in} is current pressure (IMAP) of the cooled air-fuel-exhaust mixture **132** inside the inlet manifold **136**, $IMAT$ is temperature of the inlet manifold **136**, R is a value determined based on mass flow rate of the fresh air **102** (Q_{air}), and Q_{gas} is mass flow rate of the fuel **110** at a current time stamp t . The mass flow rate of the fuel **110** (Q_{gas}), for example, may be determined using the following equation (2):

$$Q_{air} = AFR_{stoich} \times \lambda \times Q_{gas}(t-1) \quad (2)$$

wherein AFR_{stoich} is stoichiometric air to fuel ratio in the air-fuel-exhaust gas mixture **120** (see FIG. 1) or the cooled air-fuel-exhaust gas mixture **132** or the compressed air-fuel-exhaust mixture **128**, λ is a measured air-fuel equivalence ratio, $Q_{gas}(t-1)$ is mass flow rate of the fuel **110** at a previous time stamp $t-1$. The Q_{tot} may be determined using the following equation (3):

$$Q_{tot} = \frac{\eta_v \times P_{in} \times N_{rpm} \times V_d}{R \times IMAT} \quad (3)$$

where N_{rpm} is speed of the engine **101**, $IMAT$ is temperature of the cooled air-fuel-exhaust mixture **132** in the inlet manifold **136**, P_{in} is current measured pressure (IMAP) in the inlet manifold **136** that may be measured by a sensor installed around the inlet manifold **136**, η_v is volumetric efficiency of the engine **101**, V_d is displaced volume of one or more cylinders (for example: cylinder **138** in FIG. 1) present in the engine **101**.

$$R = \frac{a \times Q_{gas}(t-1) + b \times Q_{air} + c \times Q_{egr}(t-1)}{Q_{tot}(t-1)} \quad (4)$$

wherein a , b and c are constants. As previously noted with reference to FIG. 1, reference numeral **172** is representative of the first look up table and reference numeral **170** is representative of the engine operational parameters **170**. At block **206**, a desired EGR flow rate reference may be determined based on the engine operational parameters **170** and the first look up table **172**. As previously noted with reference to FIG. 1, the term “desired EGR flow rate reference” refers to a desired flow rate of a portion of exhaust gas generated by the engine **101** (for example: the first portion **158** of the exhaust gas **152** or the cooled exhaust gas **118** in FIG. 1) that may be recirculated within the engine **101** to achieve desired emission limits (for example desired amount of NOx emissions or desired amount of particulate matter). The desired EGR flow rate reference, for example,

may be determined by mapping one or more of the engine operational parameters **170** to the desired EGR flow rate reference using the first look up table **172**. Since current NO_x emissions is not one of the engine operational parameter **170**, the desired EGR flow rate reference may not be determined taking into account the current NO_x emissions, and hence achievement of the desired EGR flow rate reference may not result in desired amount of NO_x emissions. In other words, achieving the desired EGR flow rate reference may not result in achieving NO_x emissions within desired limits. Hence, the desired EGR flow rate reference is tweaked by executing the blocks **208-220**.

[0028] At block **208**, a desired amount of NO_x emissions from the engine **101**, may be determined based on the second look up table **174** and the engine operational parameters **170**. The desired amount of NO_x emissions, for example, may be determined by mapping the engine operational parameters **170** to the desired amount of NO_x emissions using the second look up table **174**. Reference numeral **210** is representative of current amount of NO_x emissions from the engine **101**. The current amount of NO_x emissions **210**, for example may be received from one or more sensors located in the engine **101**. At block **212**, NO_x error may be determined based on the desired amount of NO_x emissions and the current amount of NO_x emissions. For example, the NO_x error may be determined by subtracting the current amount of NO_x emissions from the desired amount of NO_x emissions.

[0029] Furthermore, at block **214**, delta EGR flow rate may be determined based on the NO_x error. As used herein, the term “delta EGR flow rate” refers to a flow rate quantity that is added or subtracted from the desired EGR flow rate reference to correct the desired EGR flow rate reference to take into account the current amount of NO_x emissions and the desired amount of NO_x emissions. At block **216**, a designated corrected EGR flow rate reference is determined based on the desired EGR flow rate reference and the delta EGR flow rate. As used herein, the term “designated corrected EGR flow rate reference” refers to a desired flow rate of exhaust gas (for example: the first portion **158** of the exhaust gas **152** or the cooled exhaust gas **118** in FIG. 1) determined by taking into account the current amount of NO_x emissions, the desired amount of NO_x emissions and the engine operational parameters **170**, wherein achievement of the corrected EGR flow rate may result in achievement of the desired amount of NO_x emissions. The designated corrected EGR flow rate reference may be determined by adding or subtracting the delta EGR flow rate to the desired EGR flow rate reference.

[0030] At block **218**, EGR flow rate error may be determined based on the current estimated EGR flow rate **204** (determined at the block **202**) and the designated corrected EGR flow rate reference (determined at the block **216**). The EGR flow rate error may be determined by subtracting the current estimated EGR flow rate **204** from the designated corrected EGR flow rate reference. At block **220**, a percentage opening of the EGR valve **116** may be determined at least based on the EGR flow rate error. For example, the percentage opening of the EGR valve **116** may be determined by a proportional-integral-derivative controller (not shown) in the exhaust recirculation module **178** or the engine control unit **162** or. The percentage opening of the EGR valve **116** may be determined at least by solving a transfer function at least based on the EGR flow rate error.

[0031] FIG. 3 is a flow chart of the IMAP process **182** referred to in FIG. 1, in accordance with one embodiment of the present techniques. The IMAP process **182**, for example may be executed by the engine control unit **162** or the exhaust recirculation module **178** referred to in FIG. 1. Reference numeral **170** is representative of the engine operational parameters referred to in FIG. 1.

[0032] At block **302**, a current estimated pressure (IMAP) **304** of an air-fuel-exhaust mixture (for example: the cooled air-fuel-exhaust mixture **132**) in the inlet manifold **136** may be determined based on one or more of the engine operational parameters **170**. For example, the current IMAP may be determined using the following equation (5):

$$\hat{p}_{in} = \frac{R \times IMAT}{V_{intake} + V_{prethrottle} + V_{precompressor}} (Q_{air} + Q_{gas} + Q_{egr} - Q_{Tot}) + u_1 \quad (5)$$

wherein \hat{p}_{in} is current estimated pressure (IMAP) of the cooled air-fuel-exhaust mixture **132** in the inlet manifold **136**, IMAT is temperature of the cooled air-fuel-exhaust mixture **132** in the inlet manifold **136**, Q_{air} is mass flow rate of the fresh air **104** at a time stamp t , Q_{gas} is mass flow rate of the fuel **110** at the time stamp t , Q_{tot} is mass flow rate of the cooled air-fuel-exhaust mixture **132** entering into the cylinder **138** at a time stamp t , R is the value (see equation (4)) determined based on the mass flow rate of the fresh air **104** and u_1 is a variable.

[0033] As previously noted with reference to FIG. 1, reference numeral **176** is representative of the third look up table and reference numeral **170** is representative of the engine operational parameters **170**. At block **306**, a desired IMAP reference may be determined based on one or more of the engine operational parameters **170** and the third look up table **176**. As used herein, the term “desired IMAP reference” refers to a desired pressure of an air-fuel-exhaust mixture in the inlet manifold **136** that does not take into account current NO_x emissions from the engine **101** and desired NO_x emissions from the engine **101**. The desired IMAP reference, for example, may be determined by mapping one or more of the engine operational parameters **170** to the desired IMAP reference using the third look up table **176**. Since current NO_x emissions is not one of the engine operational parameter **170**, the desired IMAP reference may not be determined taking into account the current NO_x emissions, and hence achievement of the desired IMAP reference may not result in desired amount of NO_x emissions. In other words, achieving the desired IMAP reference may not result in achieving NO_x emissions within desired limits. Hence, the desired IMAP reference is tweaked by executing the blocks **308-320**.

[0034] At block **308**, a desired amount of NO_x emissions from, the engine **101**, may be determined based on the second look up table **174** and the engine operational parameters **170**. The desired amount of NO_x emissions, for example, may be determined by mapping the engine operational parameters **170** to the desired amount of NO_x emissions using the second look up table **174**. Reference numeral **210** (see FIG. 2) is representative of current amount of NO_x emissions from the engine **101**. At block **310**, NO_x error may be determined based on the desired amount of NO_x emissions and the current amount of NO_x emissions. For

example, the NOx error may be determined by subtracting the current amount of NOx emissions from the desired amount of NOx emissions.

[0035] Furthermore, at block **312**, delta IMAP may be determined based on the NOx error. As used herein, the term “delta IMAP” refers to a pressure (IMAP) in the inlet manifold **136** that may be added or subtracted from the desired IMAP reference to correct the desired IMAP reference by taking into account the current amount of NOx emissions and the desired amount of NOx emissions. At block **314**, a designated corrected IMAP reference is determined based on the desired IMAP reference and the delta IMAP. As used herein, the term “designated corrected IMAP reference” refers to a desired pressure (IMAP) of the cooled air-fuel-exhaust mixture **132** in the inlet manifold **136** determined by taking into account the current amount of NOx emissions, the desired amount of NOx emissions and the engine operational parameters **170**, wherein achievement of the designated corrected IMAP reference may result in achievement of the desired amount of NOx emissions. The designated corrected IMAP reference may be determined by adding or subtracting the delta IMAP to the designated corrected IMAP reference.

[0036] At block **316**, IMAP error may be determined based on the current estimated IMAP **304** (determined at the block **302**) and the designated corrected IMAP reference (determined at the block **314**). The IMAP error may be determined by subtracting the current estimated IMAP from the designated corrected IMAP reference. At block **318**, a percentage opening of the EGR valve **116** may be determined at least based on the IMAP error. For example, the percentage opening of the EGR valve **116** may be determined by a proportional-integral-derivative controller (not shown) in the exhaust gas recirculation module **178** or the engine control unit **162**. The percentage opening of the EGR valve **116** may be determined at least by solving a transfer function at least based on the IMAP error.

[0037] While only certain features of the invention have been illustrated and described herein, many modifications and changes will occur to those skilled in the art. It is, therefore, to be understood that the appended claims are intended to cover all such modifications and changes as fall within the true spirit of the invention.

1. A system, comprising:

an engine comprising an exhaust-gas-recirculation (EGR) valve that recirculates a portion of exhaust gas, generated by the engine, within the engine;

a data repository that stores a first look up and one or more engine operational parameters;

an engine control unit operationally coupled to the engine and the data repository, wherein the engine control unit is configured to:

determine a desired EGR flow rate reference of the portion of the exhaust gas based on the one or more engine operational parameters and the first look up table;

determine a current estimated EGR flow rate based on the one or more engine operational parameters;

determine a designated corrected EGR flow rate reference based on the desired EGR flow rate reference and a delta EGR flow rate;

determine EGR flow rate error based on the current estimated EGR flow rate and the designated corrected EGR flow rate reference; and

determine a percentage opening of the EGR valve based at least on the EGR flow rate error.

2. The system of claim **1**, wherein the first look up table comprises a table or a function that relates the one or more engine operational parameters to the desired EGR flow rate reference, however does not take account of current NOx emissions from the engine.

3. The system of claim **1**, wherein the engine control unit determines the desired EGR flow rate reference by mapping the one or more engine operational parameters to the desired EGR flow rate reference using the first look up table.

4. The system of claim **1**, wherein the engine control unit determines the designated corrected EGR flow rate reference by subtracting the delta EGR flow rate from the desired EGR flow rate reference.

5. The system of claim **1**, wherein the data repository further stores a second look up table and an IMAP look up table.

6. The system of claim **5**, wherein the engine control unit further:

receives current amount of NOx emissions;

determines a desired amount of NOx emissions from the engine based on the second look up table and the one or more engine operational parameters;

determines a NOx error based on the current amount of NOx emissions and the desired amount of NOx emissions; and

determines the delta EGR flow rate based on the NOx error.

7. The system of claim **6**, wherein the second look up table comprises a function that relates the one or more engine operational parameters to the desired amount of NOx emissions from the engine.

8. The system of claim **6**, wherein the engine control unit determines the desired amount of NOx emissions by mapping the one or more engine operational parameters to the desired amount of NOx emissions using the second look up table.

9. The system of claim **1**, wherein the engine control unit further controls the EGR valve to achieve the percentage opening of the EGR valve resulting in the desired amount of NOx emissions and a desired amount of formation of particulate matter.

10. A system, comprising:

an engine comprising:

an exhaust-gas-recirculation (EGR) valve that recirculates a portion of exhaust gas, generated by the engine, within the engine;

an inlet manifold comprising air-fuel-exhaust mixture characterized by a pressure (IMAP);

a data repository that stores an IMAP look up table and one or more engine operational parameters;

an engine control unit operationally coupled to the engine and the data repository, wherein the engine control unit is configured to:

determine a desired IMAP reference based on the one or more engine operational parameters and the IMAP look up table;

determine a current estimated IMAP in the inlet manifold based on the one or more engine operational parameters;

determine a designated corrected IMAP reference based on the desired IMAP reference and a delta IMAP;

- determine an IMAP error based on the current estimated IMAP and the designated corrected IMAP reference; and
 determine a percentage opening of the EGR valve based at least on the IMAP error.
- 11.** The system of claim **10**, wherein the IMAP look up table comprises a table or a function that relates the one or more engine operational parameters to the desired IMAP reference.
- 12.** The system of claim **10**, wherein the engine control unit determines the desired IMAP reference by mapping the one or more engine operational parameters to the desired IMAP reference using the IMAP look up table.
- 13.** The system of claim **10**, wherein the engine control unit determines the designated corrected IMAP reference by subtracting the delta IMAP from the desired IMAP reference.
- 14.** The system of claim **10**, wherein the data repository further stores a second look up table comprising a function or a table that relates the one or more engine operational parameters to a desired amount of NOx emissions from the engine.
- 15.** The system of claim **14**, wherein the engine control unit further:
 receives a current amount of NOx emissions;
 determines the desired amount of NOx emissions from the engine based on the second look up table and the one or more engine operational parameters;
 determines a NOx error based on the current amount of NOx emissions and the desired amount of NOx emissions; and
 determines the delta EGR flow rate based on the NOx error.
- 16.** The system of claim **15**, wherein the engine control unit determines the desired amount of NOx emissions by mapping the one or more engine operational parameters to the desired amount of NOx emissions using the second look up table.
- 17.** The system of claim **1**, wherein the engine control unit further controls the EGR valve to achieve the percentage opening of the EGR valve resulting in the desired amount of NOx emissions and a desired amount of formation of particulate matter.
- 18.** A system, comprising:
 an engine comprising:
 an exhaust-gas-recirculation (EGR) valve that recirculates a portion of exhaust gas, generated by the engine, within the engine;

- an inlet manifold comprising air-fuel-exhaust mixture characterized by a pressure (IMAP);
 a data repository that stores a first look up table, an IMAP look up table and one or more engine operational parameters;
 an engine control unit operationally coupled to the engine and the data repository, wherein the engine control unit is configured to:
 select between an IMAP process and an EGR process based on one or more factors;
 execute the IMAP process after selection of the IMAP process, wherein the IMAP process comprises:
 determining a desired IMAP reference based on the one or more engine operational parameters and the IMAP look up table;
 determining a current estimated IMAP in the inlet manifold based on the one or more engine operational parameters;
 determining a designated corrected IMAP reference based on the desired IMAP reference and a delta IMAP;
 determining an IMAP error based on the current estimated IMAP and the designated corrected IMAP reference; and
 determining a percentage opening of the EGR valve based at least on the IMAP error.
- 19.** The system of claim **18**, wherein the one or more factors comprise a user preference, error resilience, operational condition of one or more sensors installed on or inside the engine or components of the engine, or combinations thereof.
- 20.** The system of claim **18**, wherein the engine control unit executes the EGR process after selection of the EGR process, wherein the EGR process comprises:
 determining a desired EGR flow rate reference of the portion of the exhaust gas based on the one or more engine operational parameters and the first look up table;
 determining a current estimated EGR flow rate based on the one or more engine operational parameters;
 determining a designated corrected EGR flow rate reference based on the desired EGR flow rate reference and a delta EGR flow rate;
 determining EGR flow rate error based on the current estimated EGR flow rate and the designated corrected EGR flow rate; and
 determining a percentage opening of the EGR valve based at least on the EGR flow rate error.

* * * * *